

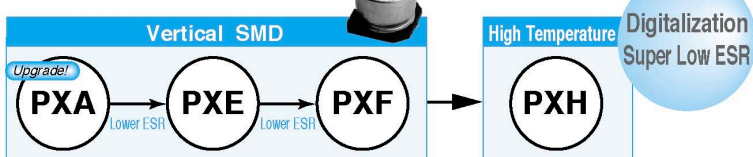


# GROUP CHART

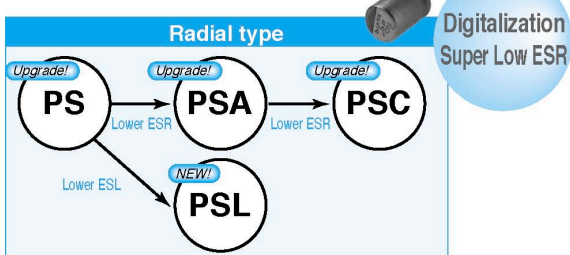
[Next page](#)

## CONDUCTIVE POLYMER ALUMINUM SOLID CAPACITORS

### ◆SURFACE MOUNT

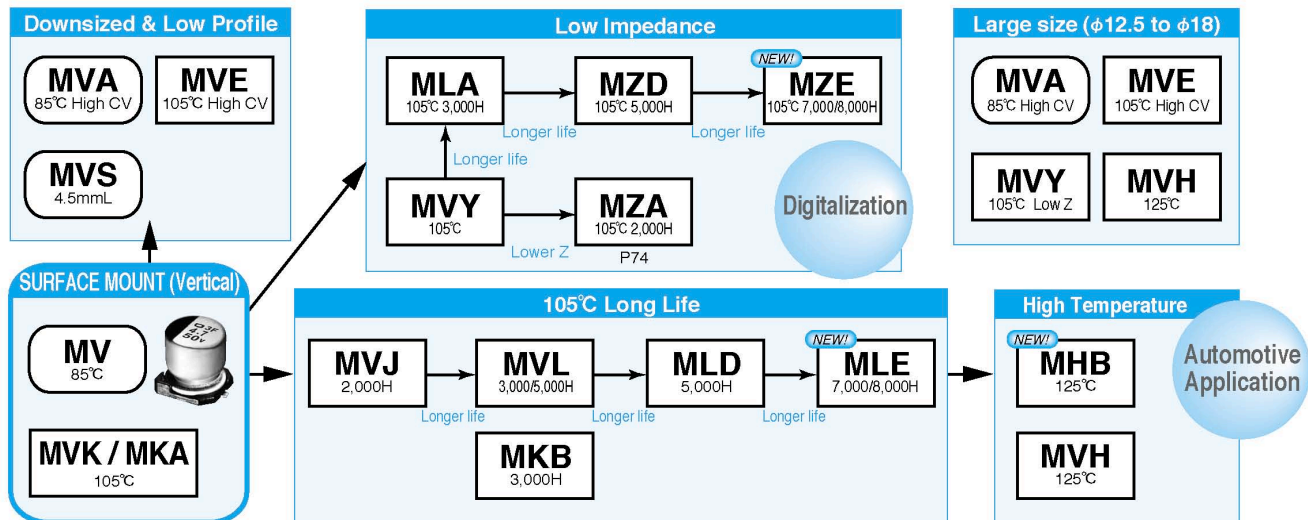


### ◆RADIAL LEAD

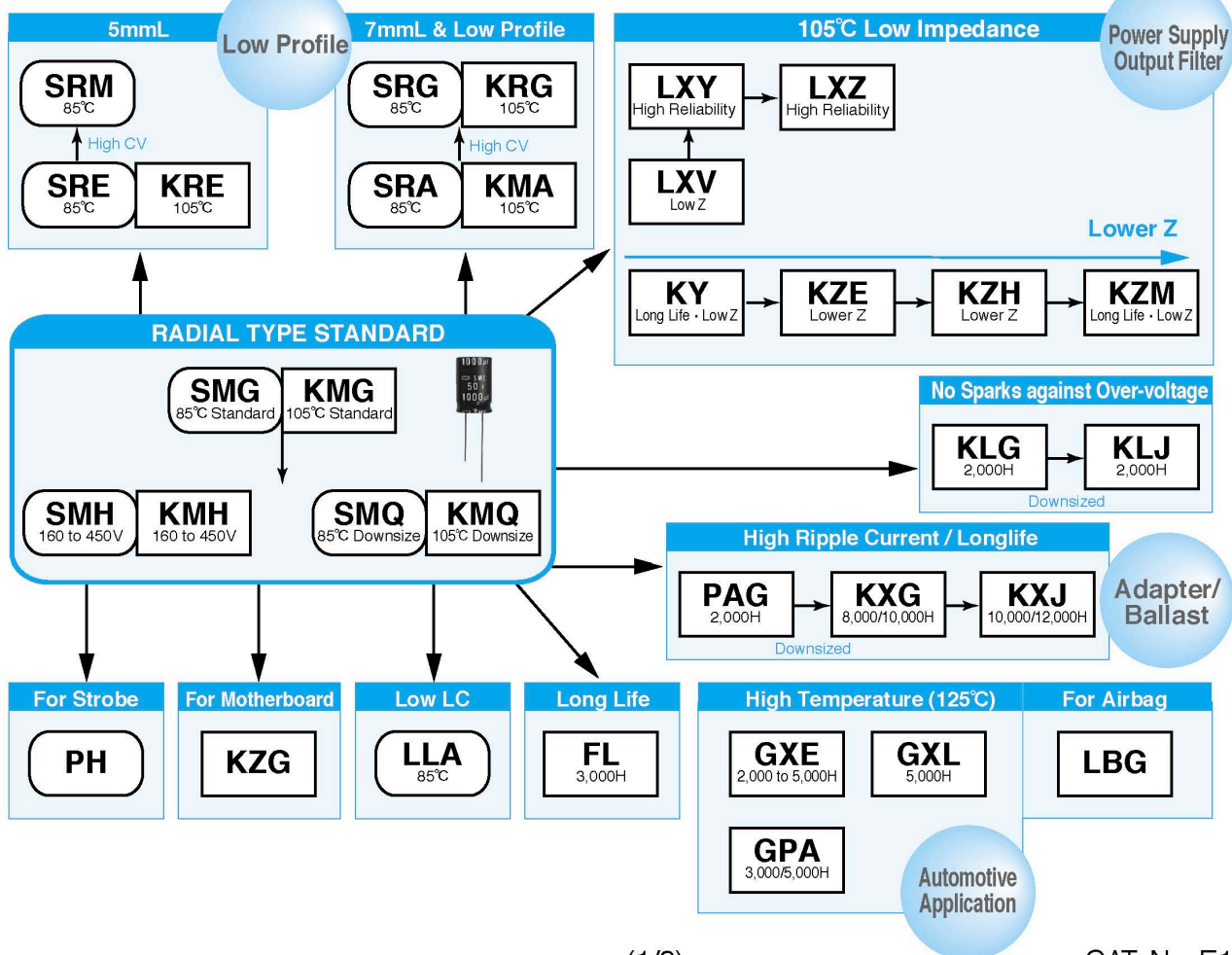


## ALUMINUM ELECTROLYTIC CAPACITORS

### ◆SURFACE MOUNT



### ◆RADIAL LEAD



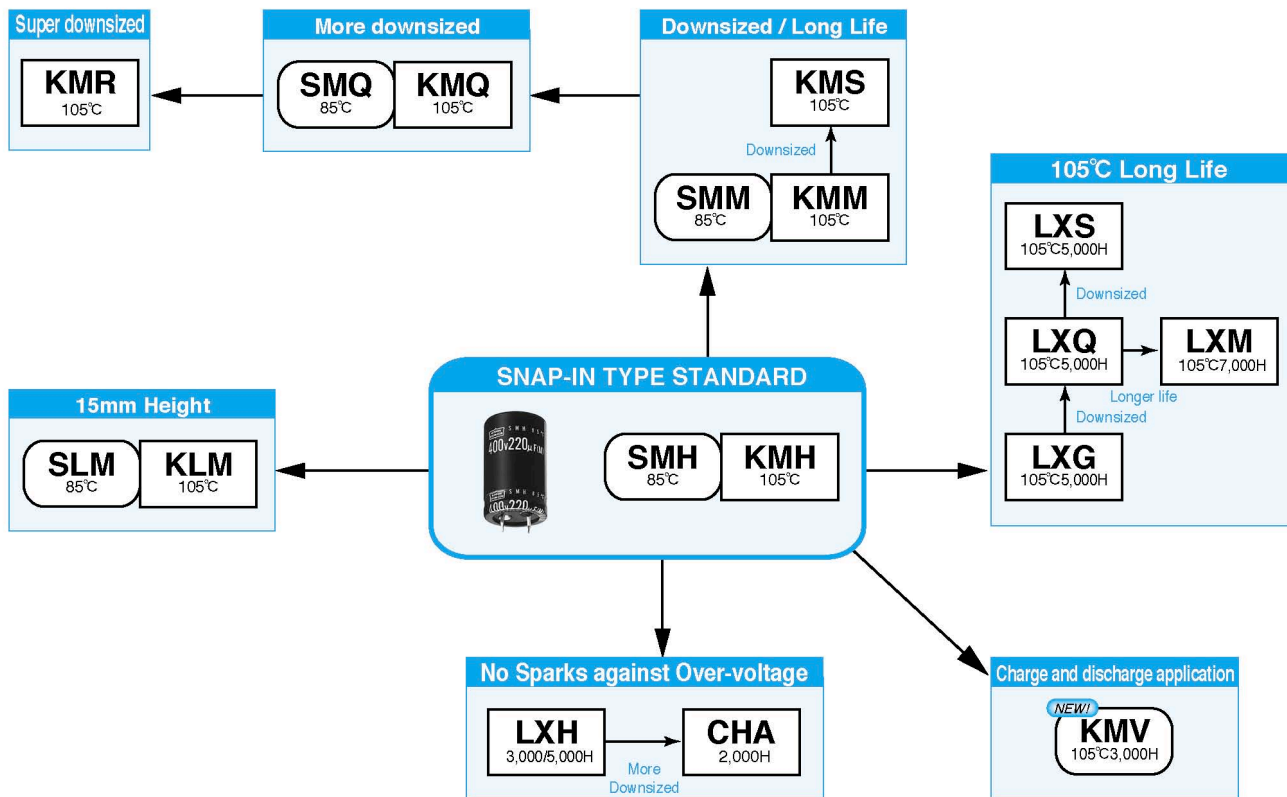


GROUP CHART

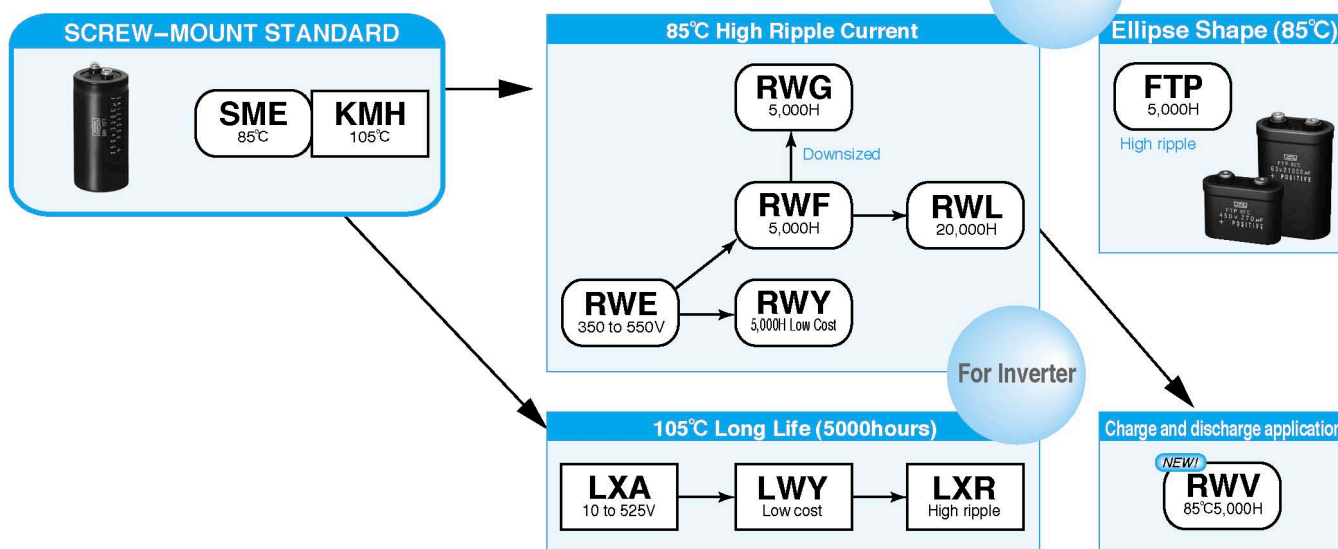
[Previous page](#)

ALUMINUM ELECTROLYTIC CAPACITORS

◆SNAP-IN



◆SCREW-MOUNT TERMINAL





## PART NUMBERING SYSTEM

### Part numbering system

Our part numbering system is common to all of Nippon Chemi-Con's subsidiaries worldwide, and has been switching the conventional part numbering system. The part number uses 18-digit codes to express information of principal product specifications such as product category, series name, rated voltage, capacitance, case size and RoHS compliance.

#### ●Categories

1	2	3	4	5	6	7	8	9	10	11	12	13	14	15	16	17	18
<input type="text"/>	<input type="text"/>	<input type="text"/>	<input type="text"/>	<input type="text"/>	<input type="text"/>	<input type="text"/>	<input type="text"/>	<input type="text"/>	<input type="text"/>	<input type="text"/>	<input type="text"/>	<input type="text"/>	<input type="text"/>	<input type="text"/>	<input type="text"/>	<input type="text"/>	<input type="text"/>

Code	Details
A	Conductive Polymer Aluminum Solid Capacitors (Polar)
E	Aluminum Electrolytic Capacitors (Polar)
B	Aluminum Electrolytic Capacitors (Bi-polar)
K	Multilayer Ceramic Capacitors
F,W	Film Capacitors
D	Electric Double Layer Capacitors
T	Metal Oxide Varistors
L	Amorphous Choke Coils

\* For digits 2 to 18, please see "Product code guide".

#### ●Example

Product type	Part number (Example)	Conventional part number (Ref.)
Surface mount type	EMV-160ADA100MD55G	MV16VC10MD55E0
Radial lead type	ESMG6R3ETC102MHB5D	TC04RSMG6.3VB1000MF50E0
Snap-in type	ESMQ201VSN471MP30S	SMQ200VSSN470M22BE0
Screw mount terminal type	ERWE551LGC821MCD0M	RWE550LGSN820MCC13EA



## ENVIRONMENTAL CONSIDERATION

### Environment friendly capacitors

Nippon Chemi-Con always considers the environment in product materials, designs and manufacturing. In fact, our factories already have received ISO 14000 certificate. Cadmium, Mercury, Hexavalent Chromium, PBB and PBDE have never been used in our products. Furthermore, lead-containing materials have been eliminated from all our aluminum electrolytic capacitors including Conductive Polymer Aluminum Solid Capacitors to comply with RoHS.

#### ◆Lead free and Non-PVC Products

##### 1. Lead wire (Plating)

Category		Plating material on lead wires	
		Original type	Lead-free type
Chip	case code : B55 to JA0	Sn-Pb	Sn-Bi
	case code : KE0 to MN0		Sn100%
Radial	case dia : ~φ8		Sn-Bi
	case dia : φ10~		Sn100%
Snap-in			Sn100%
Screw-Mount			Originally lead free

\*Please consult with us when you need "Lead-free parts" other than the above mentioned terminal plating materials.

(Note) **Pb** : lead, **Sn** : Tin, **Bi** : Bismuth

##### 2. Sleeve

Category		Sleeve material	
		Original type	Lead-free type
Chip		Sleeveless(Resin case)	Sleeveless(Resin case)
Radial	φ8×5L	Sleeveless(Coating case)	Sleeveless(Coating case)
	except φ8×5L	PVC	PET
Snap-in		PVC	PET
Screw-Mount		PVC	PVC(Lead-free)

\* Please consult with us when you need "Non-PVC parts" other than the above mentioned outer sleeve materials.

The colors of a PET sleeve are "Black", "Brown", and "Dark blue".

Standard designs of "lead-free" Snap-in type are not equipped with a plastic disc.

Please consult with us when you need nonflammable grade for outer sleeve material.

Identification of friendly parts is given by a supplement code (18th digit) of the part number.

For details, please refer to "Product code guide" for each type.